

# CP1

## Single entrance car park access control package

**SOYAL**

Access Control System

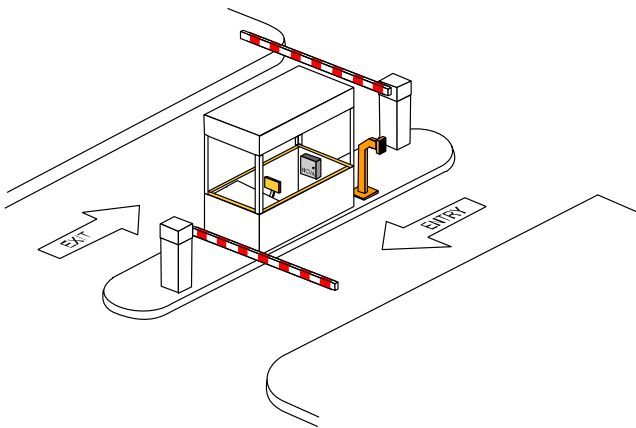
Date: 01 May 2009, Revision: V2

### Description

This package is targeted for low budget simple car park access control. System is completely standalone by itself and does NOT support the following: anti-pass back, networking, PC interface, user expiry date, time zone and holidays. All verified valid user will be granted access at any time. Support up to 1024 users. Simple maintenance and easy to use.

During entry, flash the proximity card in front of the reader (installed inside the gooseneck). Upon identity verification, the reader will trigger the barrier gate to open. Reader unit can also be used as exit reader – in this way the entrance and exit will run completely standalone by themselves and no relationship with each other. Since there are no PC software to record the user profile, management are suggested to keep a hardcopy records of all the users and their assigned card number for future maintenance.

### Installation Diagram



**\*\* Guaranteed maximum compatibility with MAG BR500 series barrier gate system.**

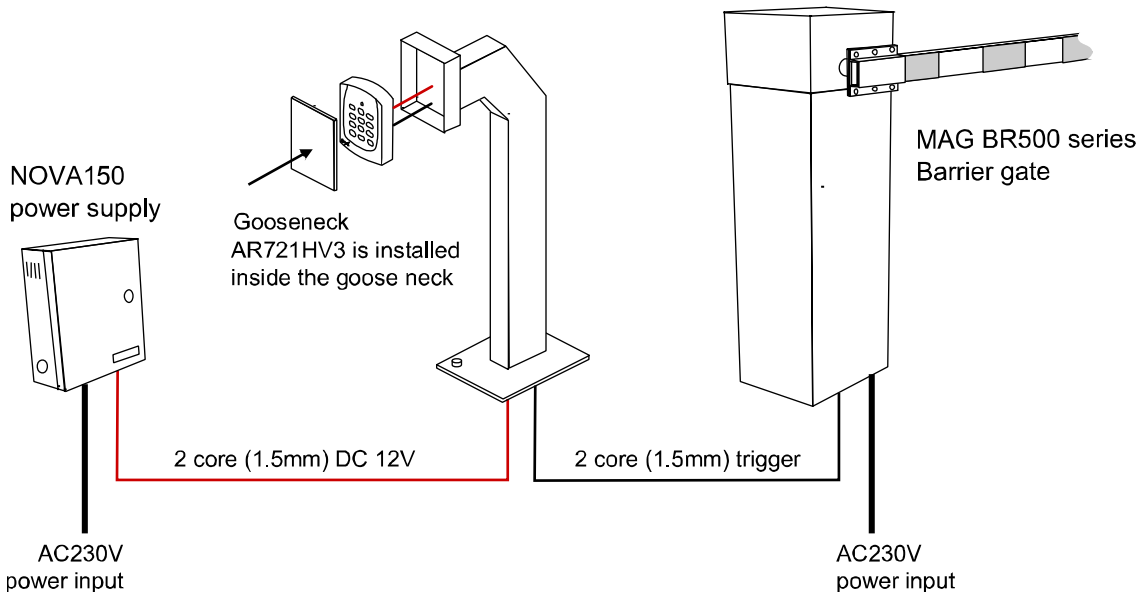
### Ordering Information

Ordering code: CP1

Qty	Equipment
1 pcs	SOYAL AR721HV3 controller reader
1 pcs	Gooseneck (w/ epoxy painting)
1 pcs	NOVA 150 power supply with backup battery
10 pcs	CDS18 , 1.8mm 125Khz proximity card

### Upgrade Ideas

- Add AR321CM (convert RS485 to USB convertor, come with software) for PC software management.
- Add SP3 data and power line lighting protector for protection from lightning.



**\*\* It is suggested to add Varistor 17V at the beginning and ending of all wiring to protect equipment from being damaged by electrical surge.**

© COPYRIGHT 1<sup>st</sup> May 2009. This documentation served as a reference only. It is subject to change without further notice. All the diagrams and information in this documentation may not be duplicated or modified in any form without the written approval from the management.