

GP90 Mounting Bracket

Date: 13 August 2008, Revision: V1

Introduction:

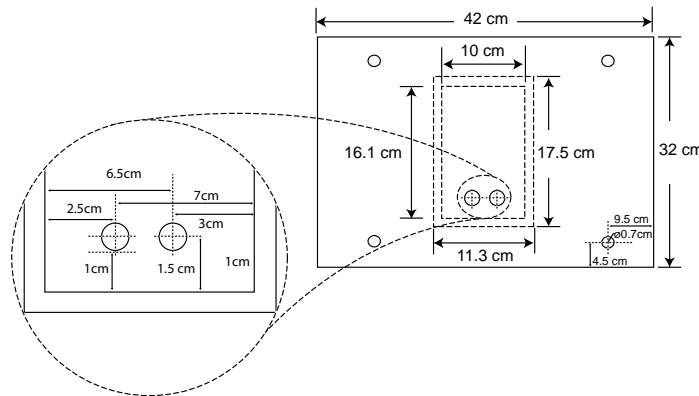
GP90 Mounting Bracket is used to mount GP90 long range reader at the Gooseneck for user to flash the card to enter and exit from the property car park.

Specification:

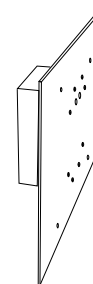
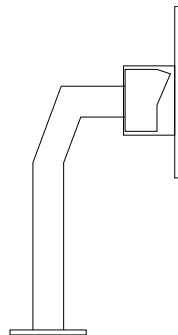
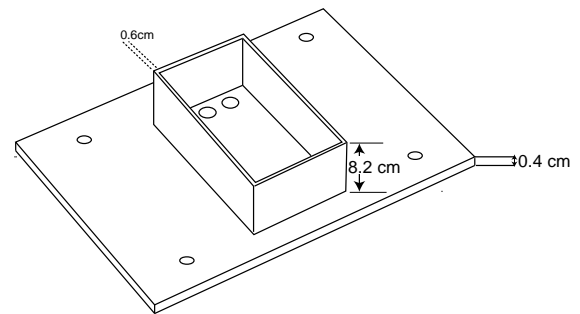
- Acrylic finish with black painting

Dimension Diagram:

Front View Dimension



Back View Dimension



Ordering Information:

Model Name	Description
BKT GP90	Gooseneck mounting bracket for GP90

Authorized Dealer:

© COPYRIGHT 11 August 2008. This documentation served as a reference only. It is subject to change without further notice. All the diagrams and information in this documentation may not be duplicated or modified in any form without the written approval from the management.