

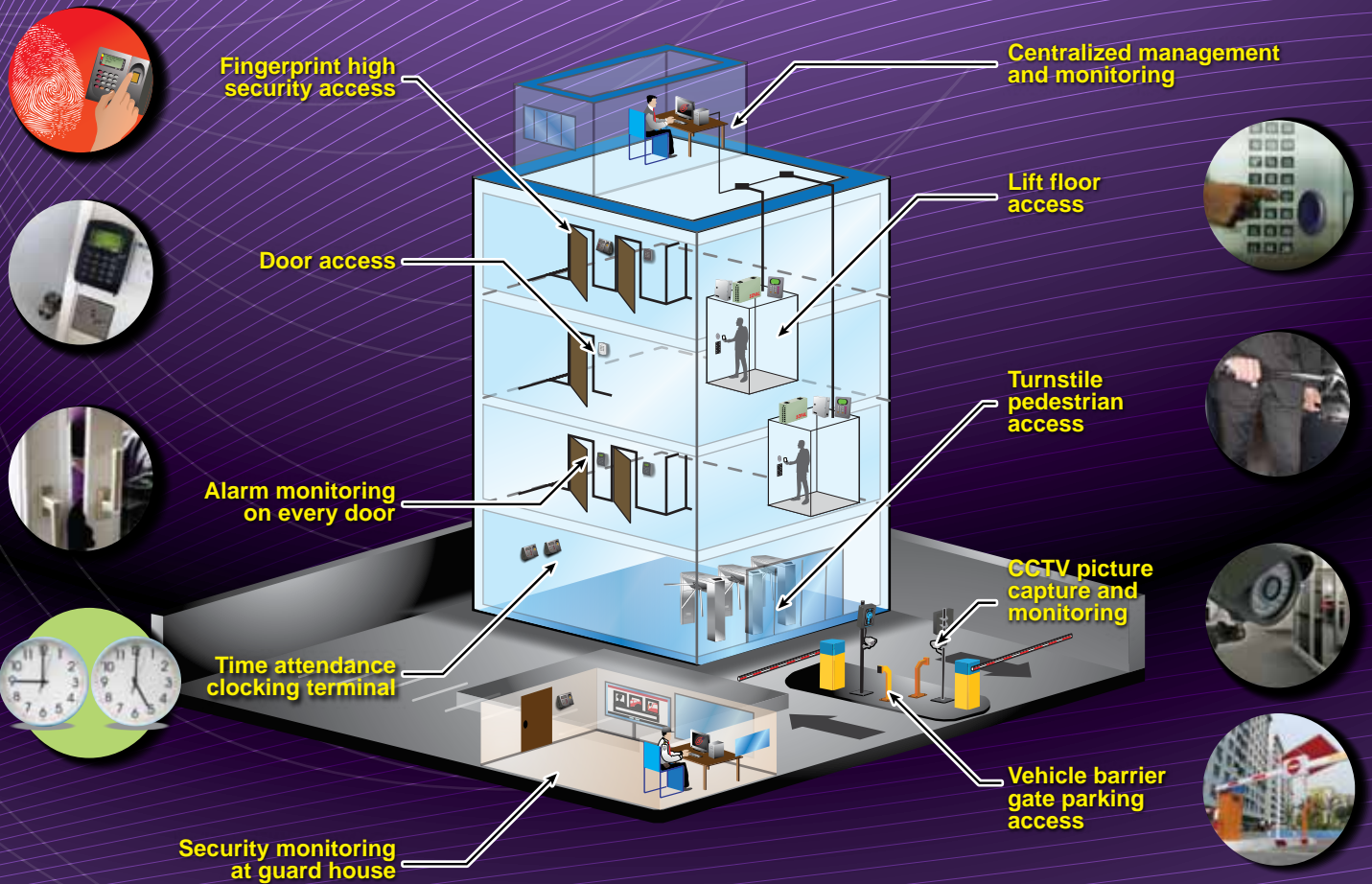


# SOYALetegra

Integrated Access Control and Security System



SoyalEtegra(SACS) is an advance client / server access control software that is designed exclusively for Soyal's card and fingerprint access system. It extends SOYAL functionality to the next level with integrated CCTV surveillance and time attendance functions. SoyalEtegra is fully loaded with powerful features into a single platform to achieve centralized security, surveillance and attendance management for small to big business operations.



**ONE FOR ALL HARDWARE, ALL IN ONE SOFTWARE**

**Basic**  
Affordable low budget system. 1024 users, 1200 event memory, 11 time zone.

**AR721H & AR721U**

**Metal**  
Metal housing provides vandal resistant protection. Touch panel keypad and slim form factor make it easy to fit into narrow door frame while maintaining prestigious outlook. 3000 users, 1500 event memory and 11 time zones.

**AR727H & AR737U**

**Touch**  
Illuminated touch panel keypad over black shiny surface for higher class elegant design. 3000 users, 1500 event memory and 11 time zones.

**AR727H & AR737U**

**Standard**  
LCD screen show clock and easy to program. 1024 users, 1200 event memory, 11 time zone.

**AR727H & AR737U**

**Performance**  
LCD screen show user name and display customizable message. 15K users, 11K event memory, 63 time zone, 255 door group, Support expiry date, all parameter set from software.

**AR829E & AR721U**

**Fingerprint**  
LCD screen show user name and display customizable message. 4500 fingerprint, 10K card users, 11K event memory, 63 time zone, 255 door group. Support expiry date, all parameter set from software.

**AR821EF Optical or Capacitive**

**Multidoor**  
Global anti-passback and manage multiple doors. 15K card users, 11K event memory, 11 time zone, 63 door group. Support expiry date, all parameter set from software. 2 door controller support simpler 3000 users and 11 time zones.

**AR716E & AR7271 network module**

**Signal Converter**

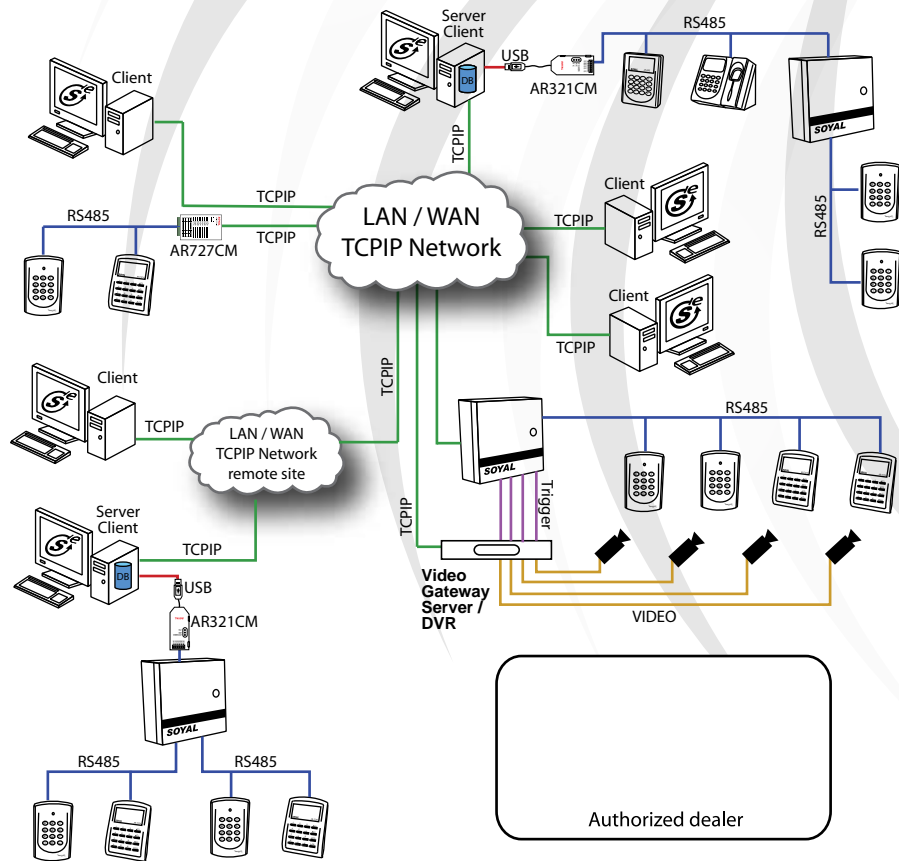
**USB AR321CM**      **TCPIP AR727CM**

**MVR04 4 ch Video Gateway Server**

**MVR08Z and MVR16Z 8 and 16 Ch DVR**

	Lite	Professional Basic	Professional Advance
<b>Model</b>	SELT	SEPBB	SEPA
<b>System configuration</b>			
<b>Hardware Manager</b>	Single site	Multi sites	Multi sites
<b>Client / server support</b>	Standalone only	yes	yes
<b>Multi branch</b>	no	no	yes
<b>Function permission</b>	no	yes	yes
<b>User management</b>			
<b>Multi cards per user</b>	no	yes	yes
<b>Assign FP reader per user</b>	no	yes	yes
<b>Access Control</b>			
<b>Permission setting</b>	Simple	Advanced with door vs time zone. Allow different access method for different door at different time within same day	
<b>Time Attendance</b>			
<b>Overnight next day shift</b>	no	yes	yes
<b>Multiple break</b>	only 1 break	max 4 breaks	max 4 breaks
<b>Calculation</b>	Basic FILO within each shift interval	Advance with flexible shift, able to see clocking details, shift assigned, auto-generate clocking.	
<b>Monitoring</b>			
<b>Current event log</b>	yes	yes	yes
<b>Alarm event log</b>	no	yes	yes
<b>Anti-passback map</b>	no	yes	yes
<b>Door commander</b>	no	yes	yes
<b>In/Out monitoring</b>	no	yes	yes
<b>User tracking</b>	no	yes	yes
<b>CCTV</b>	no	Max 8 ch video	Unlimited video
<b>EMAP</b>	no	no	coming soon
<b>Area Control</b>	no	coming soon	coming soon

Architecture diagram



**Recommended PC requirement :**  
Intel I5 core CPU, 300 GB HDD, 4 GB RAM, XP Pro, Win 7 (32 bit)