

# VG2

## Fingerprint Time Attendance System



Date: 27 Oct 2009, Revision: V2

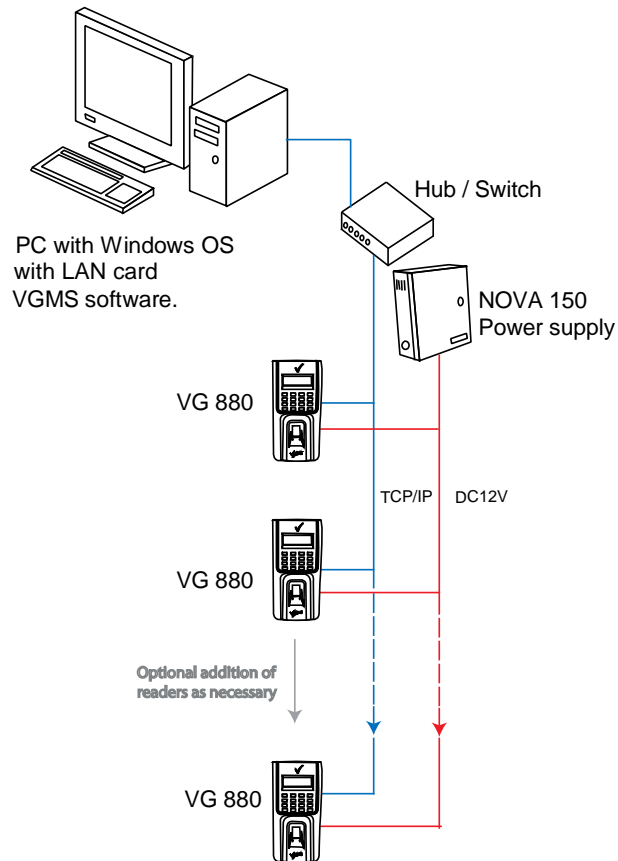
### General Description

VG2 is a high performance fingerprint time attendance system to effectively solve buddy-punching problem. User can add more readers as necessary.

Each employee can register up to 10 fingerprint records. Employee is required to scan their finger whenever they start or finish their duty. A beep sound will indicate successful transaction, @where double beep sound indicates unsuccessful transaction.

Valid transaction will be sent to PC for time attendance function provided by the software.

### Installation Diagram



### Feature

- 3000 fingerprint template.
- Allow 10 fingerprint per user.
- 1.5 sec for 500 templates.
- Allow rotation of finger placement.
- Direct interface to PC via RJ45 (TCP/IP network)
- Programming from keypad and software.

### Ordering Information

Ordering code : VG2

Qty	Parts
1 pcs	VG880 fingerprint reader
1 pcs	VGMS software (basic function)
1 pcs	NOVA 150 power supply

### Upgrade Ideas:

- Upgrade to advanced time attendance software (VTMS).
- Additional NOVA 150 power supply might need to be added if more than 3 readers are used or the wiring distance is too far away.