

NVS12100P9C Linear Power Supply

Date: 5 March 2012, Revision: V1



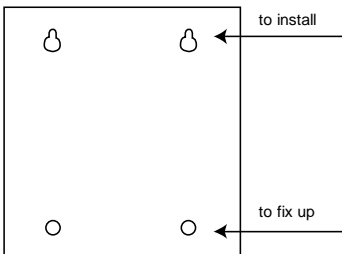
Description:

NVS12100P9C, AC 100 linear power supply with built in regulator and battery charger. Low ripple output. It supports 12V, 7Ah acid sealed battery as a backup battery in case of power failure. Will recharge battery after power resumed.

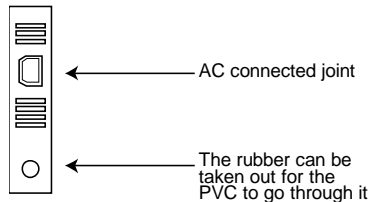
Wiring Diagram

Assembly

Bottom



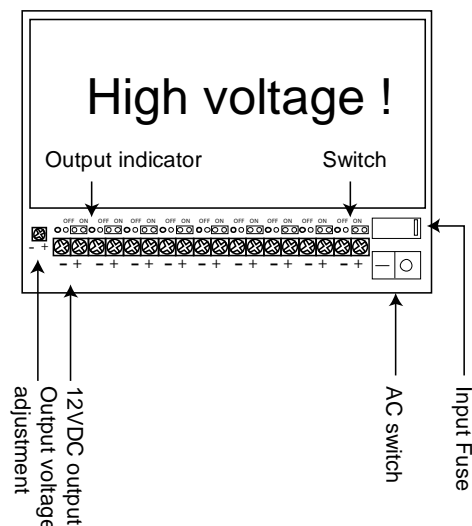
Side



Underside



Connection



Specification:

DC Output Voltage	AC100 ~ 240V 50 ~ 60Hz
Output voltage	DC12V
ADJ	11 ~ 14V
Output current	I(01 ~ 09) +10A
Off current	I(Max) = 12A
Output power	120W
Peak value of power	145W

Function of protect:

- Output Short protection
- Output Overcurrent protection
- Output Overvoltage protection

Specialized power supply custom made for security products

Use guide:

- Only use indoors.
- Please use power of 110 ~ 220V and cable of two phases and three cables.
- Each output channel maximum 1.5A

Good Quality component to ensure reliable performance & safety



**Please consult our technical specialist for more information on proper wiring to ensure minimal voltage drop.

© COPYRIGHT 5 March 2012. This documentation served as a reference only. It is subject to change without further notice. All the diagrams and information in this documentation may not be duplicated or modified in any form without the written approval from the management.