

## GV-1008

The GV-1008, as a three-in-one combo card, provides one single card solution for 8 video/audio recording, real-time display and TV-out display. The Card can record one channel at D1 in real time or 30 fps. When the two Cards are installed in the system, it can be utilized to provide a single TV-out display of 16 cameras and maintain a high recording rate of 480 fps at D1 resolution.

### Minimum System Requirements

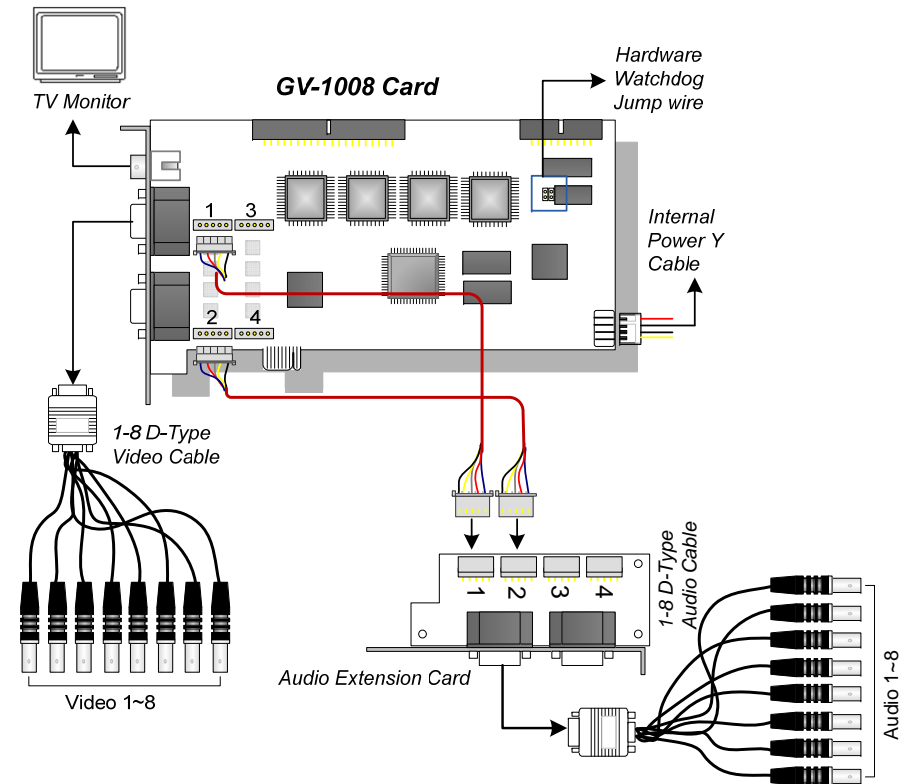
OS	Windows 2000 / Windows XP / Windows Server 2003 / Windows Vista	
CPU	Core 2 Duo-3.0 GHz	
RAM	Windows 2000 / XP	2 x 512 MB Dual Channels
	Windows Server 2003 / Vista	2 x 1 GB Dual Channels
HDD	250 GB	
VGA	ATI Radeon X1300 PCI-E / NVIDIA GeForce 7300 PCI-E	
DirectX	9.0c	

### Packing List

- |   |                                     |
|---|-------------------------------------|
| 1. GV-1008 Card x 1                       | 7. Hardware Watchdog Jumper Wire x1 |
| 2. Audio Extension Card x 1               | 8. Software CD x 1                  |
| 3. 1-8 D-Type Video Cable x 1             | 9. Feature Guide x 1                |
| 4. 1-8 D-Type Audio Cable x 1             | 10. Installation Guide x 1          |
| 5. 40-Pin Ribbon Cable with 3 headers x 1 |                                     |
| 6. Internal Power Y Cable x 1             |                                     |

### Connecting One GV-1008 Card

- Plug the Audio Extension Card in the assigned connectors on the GV-1008 Card.
- Connect D-Type video cable and audio cable to the GV-1008 Card and Audio Extension Card respectively.
- Connect the PC's internal power supply to the GV-1008 Card.
- Connect the TV monitor to the GV-1008 Card if needed.



**Note:** The Card only works when it connects to PC's power supply with the supplied Internal Power Y Cable.

## Connecting Two GV-1008 Cards

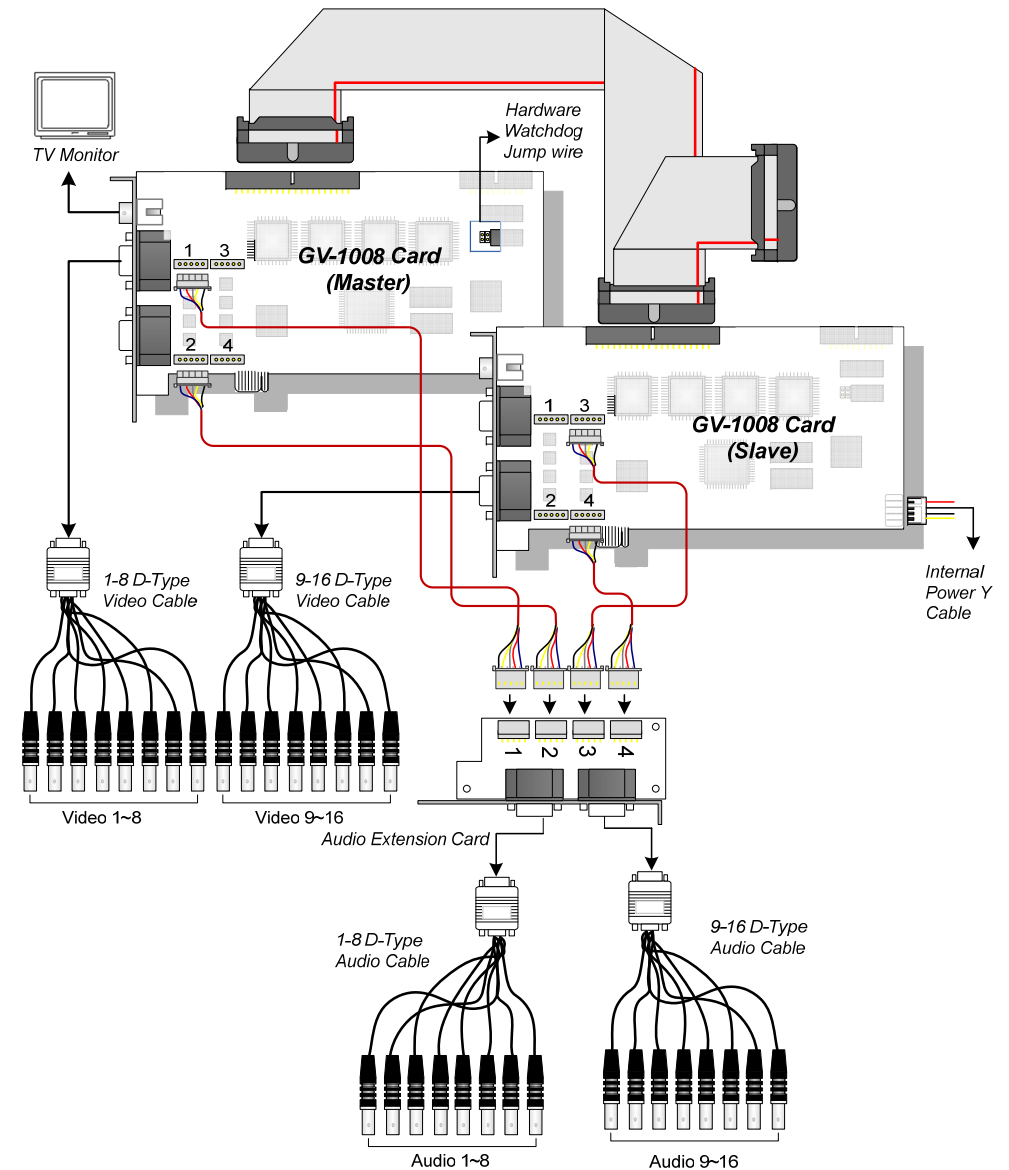
You can install two GV-1008 Cards for a total of 16 channels. Master Card is the card with 1-8 channels and Slave Card is that with 9-16 channels. Normally, the card attached to the lower PCI slot number will act as Master, and the card attached to the higher PCI slot number will act as Slave. Use the 40-pin cable to connect the two Cards together.

---

**IMPORTANT:** Use the 40-pin cable to connect the two video capture cards only after the Master and Slave Cards are identified.

---

- **Video Channels:** Connect only Video Channels 1~8 of the Master Card and Video Channels 9~16 of the Slave Card with the supplied D-Type Video Cables
- **Audio channels:** Connect only Audio Channels 1~8 of the Master Card and Audio Channels 9~16 of the Slave Card to Audio Extension Card.
- **TV Output Connection:** Connect a TV Monitor to any of the RCA connectors on the Master and Slave Cards for displaying 1-16 channels.
- **Hardware Watchdog Connection:** Connect the supplied Hardware Watchdog Jump Wire to the Master Card.
- **Accessory Card Connections:**
  - ⊙ GV-NET/IO Card: Connect the card only to the Master Card.
  - ⊙ GV-Loop Through Card: Connect one card to the 40-pin cable which connects both Master and Slave Cards.
  - ⊙ GV-Multi Quad Card: Connect one card to the 40-pin cable which connects both Master and Slave Cards.



## Specifications

		GV-1008	GV-1008 x 2	
Input Type		DB 15 x 1 (Video) DB 9 x 1 (Audio)	DB 15 x 2 (Video) DB 9 x 2 (Audio)	
Video Input		8 Cams	16 Cams	
TV Output		RCA Connector x 1		
Audio Input		8 Channels	16 Channels	
Recording Rate	CIF	NTSC	240 fps	480 fps
		PAL	200 fps	400 fps
	D1	NTSC	240 fps	480 fps
		PAL	200 fps	400 fps
Display Rate	CIF	NTSC	240 fps	480 fps
		PAL	200 fps	400 fps
	D1	NTSC	240 fps	480 fps
		PAL	200 fps	400 fps
Video Resolution	NTSC	720 x 480, 720 x 480 (De-interlace), 640 x 480, 640 X 480 (De-interlace), 360 x 240, 320 x 240		
	PAL	720 x 576, 720 x 576 (De-interlace), 640 x 480, 640 X 480 (De-interlace), 360 x 288, 320 x 240		
Compression Format		Geo MPEG4, Geo MPEG4 (ASP), Geo H264, Geo H264 V2		
GV-Multi Quad Card Support		Yes		
GV-Loop Through Card Support		Yes		
GV-NET/IO Card Support		Yes		
Dimensions (W x H)		187.7 x 117.1 (mm) / 7.38 x 4.61 (in)		