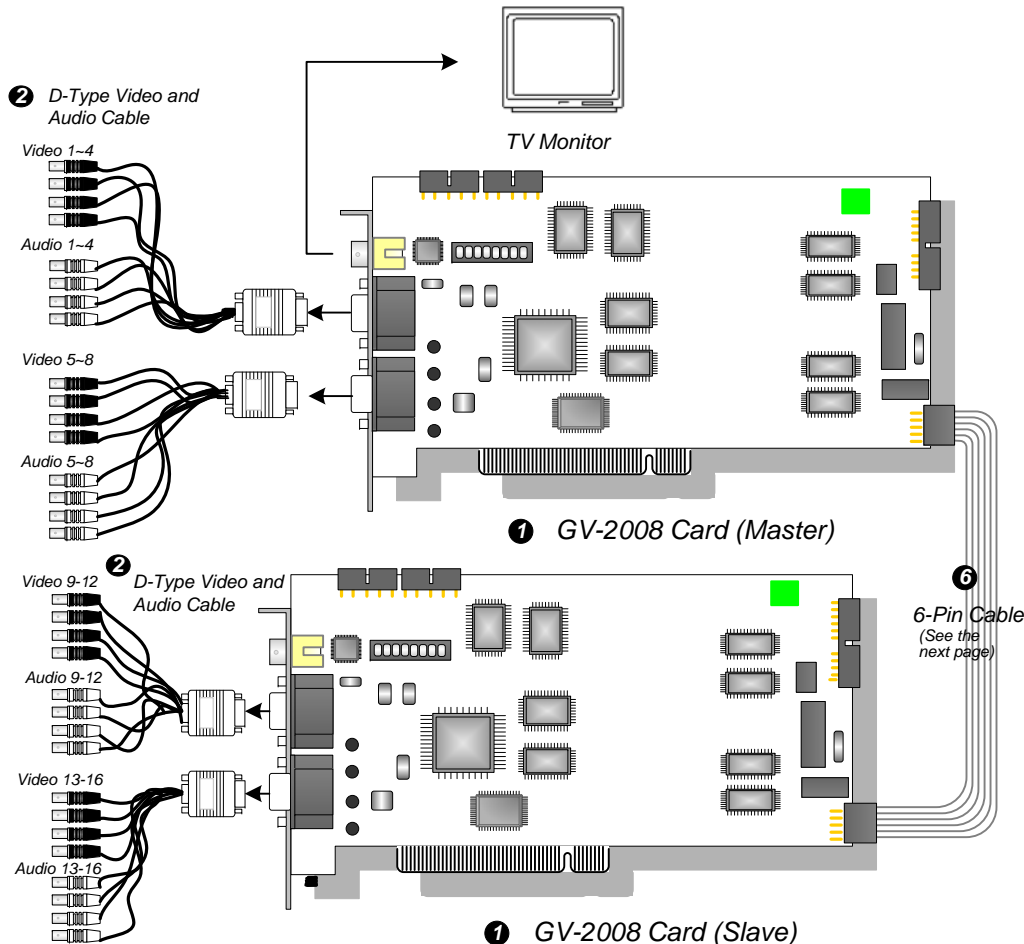


GV-2008 Card

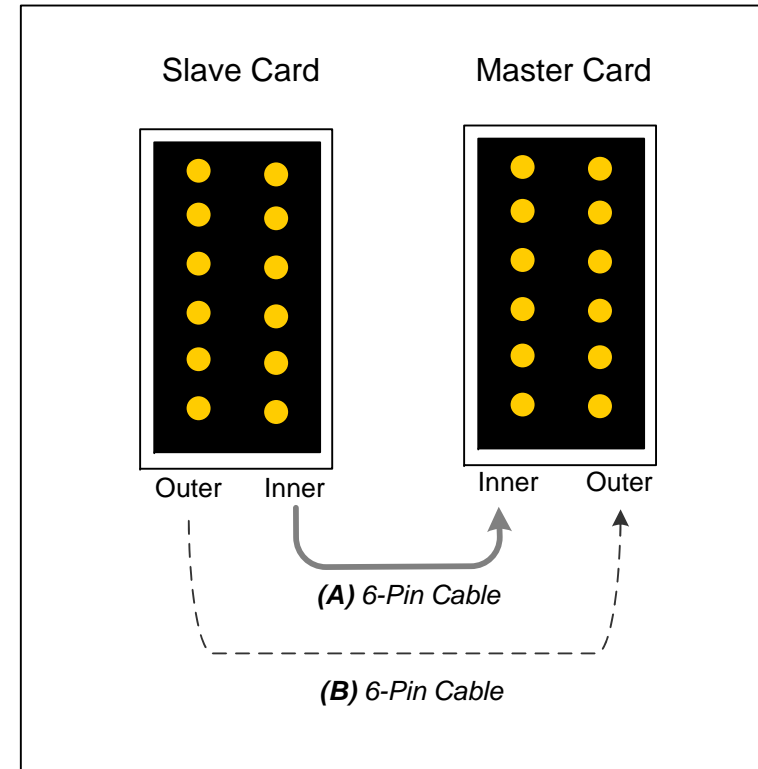
GV-2008, a four-in-one combo card, includes the features of previous GV-Video Capture Card (recording of up to 16 video channels), GV-DSP Card (real-time display), GV-A16 Card (recording of up to 16 audio channels), and GV-Hybrid DVR Card (hardware compression). This economic device not only provides a single-card solution but also saves the PCI slots.

Packing List

- ❶ GV-2008 Card x 1
- ❷ 1-4 D-Type Video and Audio Cable x 1
- ❸ 5-8 D-Type Video and Audio Cable x 1
- ❹ Hardware Watchdog Jumper Wire x 1
- ❺ 6-Pin Cable x 1
- ❻ Software CD x 1
- ❼ Installation Guide x 1



Connect Two GV-2008 Cards



1. The card attached to the lower PCI slot number will act as Master, and the card attached to the higher PCI slot number will act as Slave.
2. Connect both cards' inner pins with the 6-Pin Cable. See (A) connection in the Figure above.
3. In a computer where two GV-2008 Cards are installed, only 8 channels are functional when the system is running. It may be that the position of Master card and Slave card is reversed, so the 6-Pin Cable is connected to the wrong pin assignment. To solve the problem, please try to connect both cards' outer pins with the cable. See (B) connection in the Figure above.

Specifications

Input Type	DB15 x 2 (for Video and Audio)	
Video Input (s)	8 Cams	
Audio Input (s)	8 Channels	
TV Output	RCA Connector x 1	
Recording Rate	S/W (CIF)	240 fps (NTSC), 200 fps (PAL)
	H/W (D1 or Half D1)	240 fps (NTSC), 200 fps (PAL)
Display Rate	240 fps (NTSC), 200 fps (PAL)	
Video Resolution	NTSC	720 x 480, 720 x 480 De-interlace
	PAL	720 x 576, 720 x 576 De-interlace
Compression Format	S/W	Geo MPEG4, Geo MPEG4 (ASP), Geo H264, Geo H264 V2
	H/W	MPEG-4 (ASP)
GV-NET/IO Card Support	Yes	
Dimensions	240 x 102 (mm) / 9.45 x 4.02 (in)	

Minimum System Requirements

OS Supported	Windows 2000 / XP / Server 2003 / Vista	
CPU	GV-2008 x 1	Pentium 4-2.6 GHz with Hyper-Threading
	GV-2008 x 2	Pentium 4-3.0 GHz with Hyper-Threading
RAM	GV-2008 x 1	2 x 512 MB Dual Channels (Windows 2000 / XP)
		2 x 1 GB Dual Channels (Windows Server 2003 / Vista)
HDD	GV-2008 x 2	2 x 1 GB Dual Channels
	GV-2008 x 1	250 GB
VGA	GV-2008 x 2	500 GB
	GV-2008 x 1	ATI Radeon X600 / NVIDIA 6200
DirectX	GV-2008 x 2	ATI Radeon X1300 PCI-E / NVIDIA GeForce 7300 PCI-E
	9.0c	

Note:

1. The hard disk space required to install GV-System must be at least 1 GB.
2. Currently GV Video Capture Cards are not compatible with VIA-series and ATI-series chipset Motherboards, and 64-bit Windows operating system.
3. To install two GV-2008 Cards, ensure the PC power supply is 400 Watts or above.