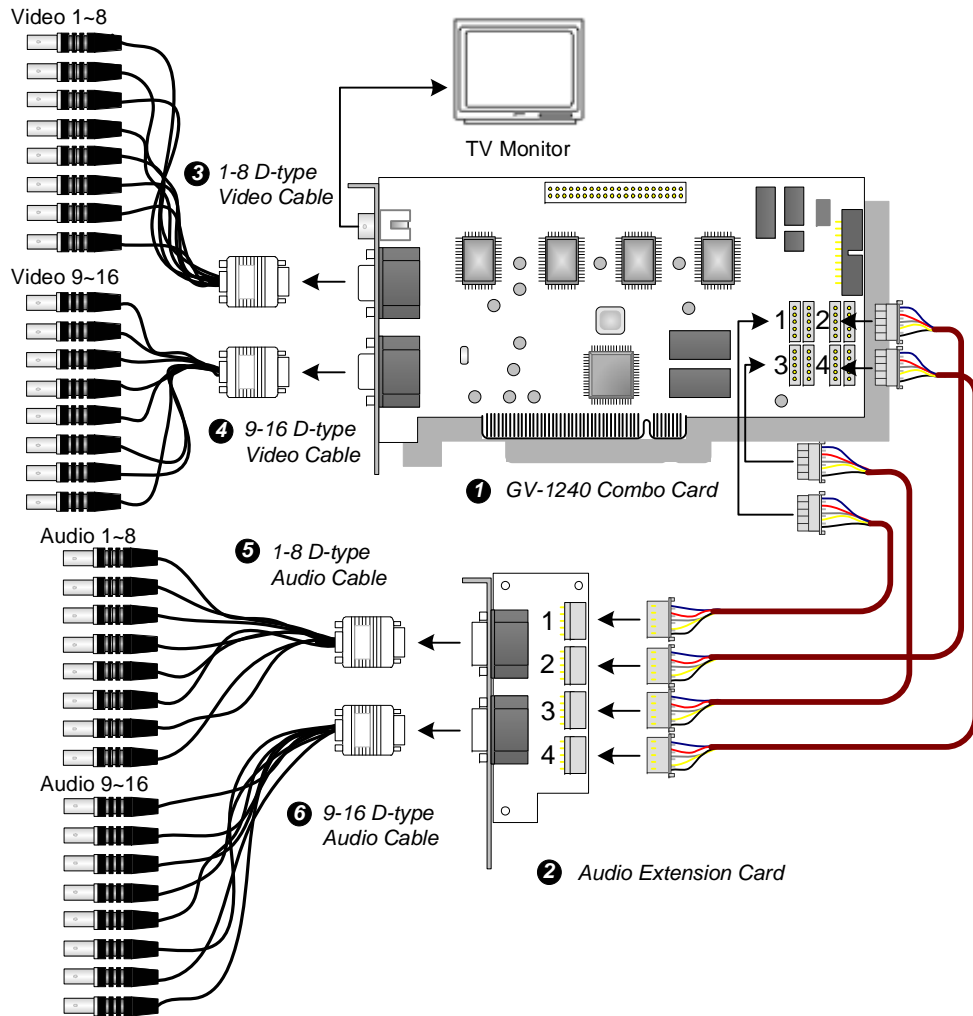


GV-1240 Combo Card

GV-1240 is a three-in-one combo card including the features of previous GV Capture Card, GV-DSP Card and GV-A16 Card. GV-1240 provides a "single card solution" for video/audio recording and real-time display.

Packing List

- ❶ GV-1240 Combo Card x 1
- ❷ Audio Extension Card x 1
- ❸ 1-8 D-type Video Cable x 1
- ❹ 9-16 D-type Video Cable x 1
- ❺ 1-8 D-type Audio Cable x 1
- ❻ 9-16 D-type Audio Cable x 1
- ❼ Hardware Watchdog Jumper Wire x 1
- ❽ Software CD x 1
- ❾ User's Manual x 1



Specifications

Input Type	DB15 x 2 (for Video), DB9 x 2 (for Audio)	
Video Input (s)	8, 16 Cams	
Audio Input (s)	8, 16 Channels	
TV Output	RCA connector x 1	
Recording Rate	240 fps (NTSC), 200 fps (PAL)	
Display Rate	480 fps (NTSC), 400 fps (PAL)	
Video Resolution	NTSC	720x480, 720x480 De-interlace, 720x240, 640x480, 640x480 De-interlace, 640x240, 320x240
	PAL	720x576, 720x576 De-interlace, 720x288, 640x480, 640x480 De-interlace, 640x240, 320x240
Compression Format	Wavelet, MPEG-4, GeoMPEG4	
GV-NET/IO Card Support	Yes	
GV-Hybrid DVR Card Support	Yes	
Dimensions	195 mm x 100 mm	

System Requirements

OS Supported	Windows 2000 / Windows XP / Windows Server 2003
CPU	Pentium 4-2.6C GHz, 800 MHz FSB (minimum)
RAM	2 x 256 MB dual DDR400 SDRAM (minimum)
HDD	120 GB or above (recommended)
VGA	ATI Radeon 9550 or above (recommended)
DirectX	9.0 or above

- Note:**
- To use the recording resolution of 640 x 480 or above, Pentium 4 processor with Hyper Threading is required.
 - Currently GV-series cards are not compatible with VIA series chipset motherboards.