

# MT-BL03R

## Active Video Balun – Twisted pair to coaxial converter



MAGTEC MT-BL03R is an Active Video CCTV Balun, could provide extended distance between the CCTV camera and the DVR via coper twisted pair cable. The Active Balun (MT-BL03R) features Automatic Image Adjustment for picture brightness, sharpness and contrast, thereby helping to reduce on-site service calls.

Highlights: Support 500 meter via category 5 twisted pair cable when used in conjunction with Pasive Balun (MT-BL01 / MT-BL02)

**Advantages:**

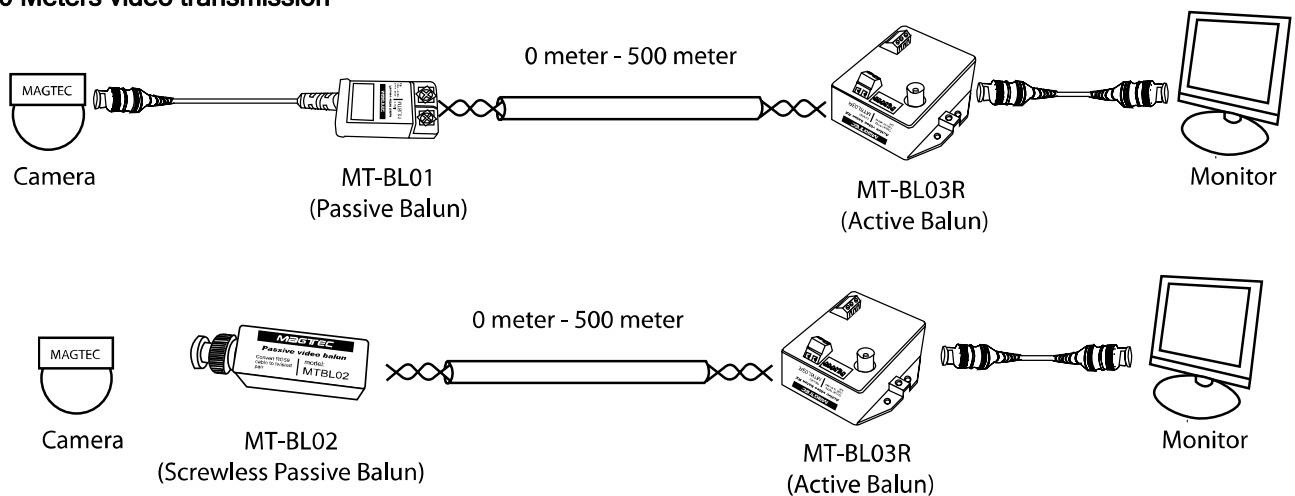
- Better interfaces rejection than coax
- Ease to install and reconfigure
- Installation tools, test equipment and labor cost are less expensive in long distance wiring.

**Specification:**

<b>Video</b>	
Bandwidth	DC – 6MHz
Attenuation	Maximum 0.5dB
Common mode / Differential-mode Rejection	15Khz – 5 MHz Typical 60 dB
Resistance	BNC Coax 75 Ω connector UTP cable 100 Ω
<b>Cable Type</b>	
Specification	24AWG or thicker cat-3 above
Resistance	100Ω ± 20%
DC loop resistance	18Ω / 100m
Differential Capacitor	62pf/m (max)
<b>Environment</b>	
Temperature	-20 ~ + 75°C
Humidity	0 ~ 95%
Anti-transient ability	6000V 1.2 μ S x 50 μ S
Dimension	76 x 76 x 27mm
Net Weight	0.075kg

**Typical Application:**

**500 Meters video transmission**



© COPYRIGHT Sept 2008. This documentation served as a reference only. It is subject to change without further notice. All the diagrams and information in this documentation may not be duplicated or modified in any form without the written approval from the management.